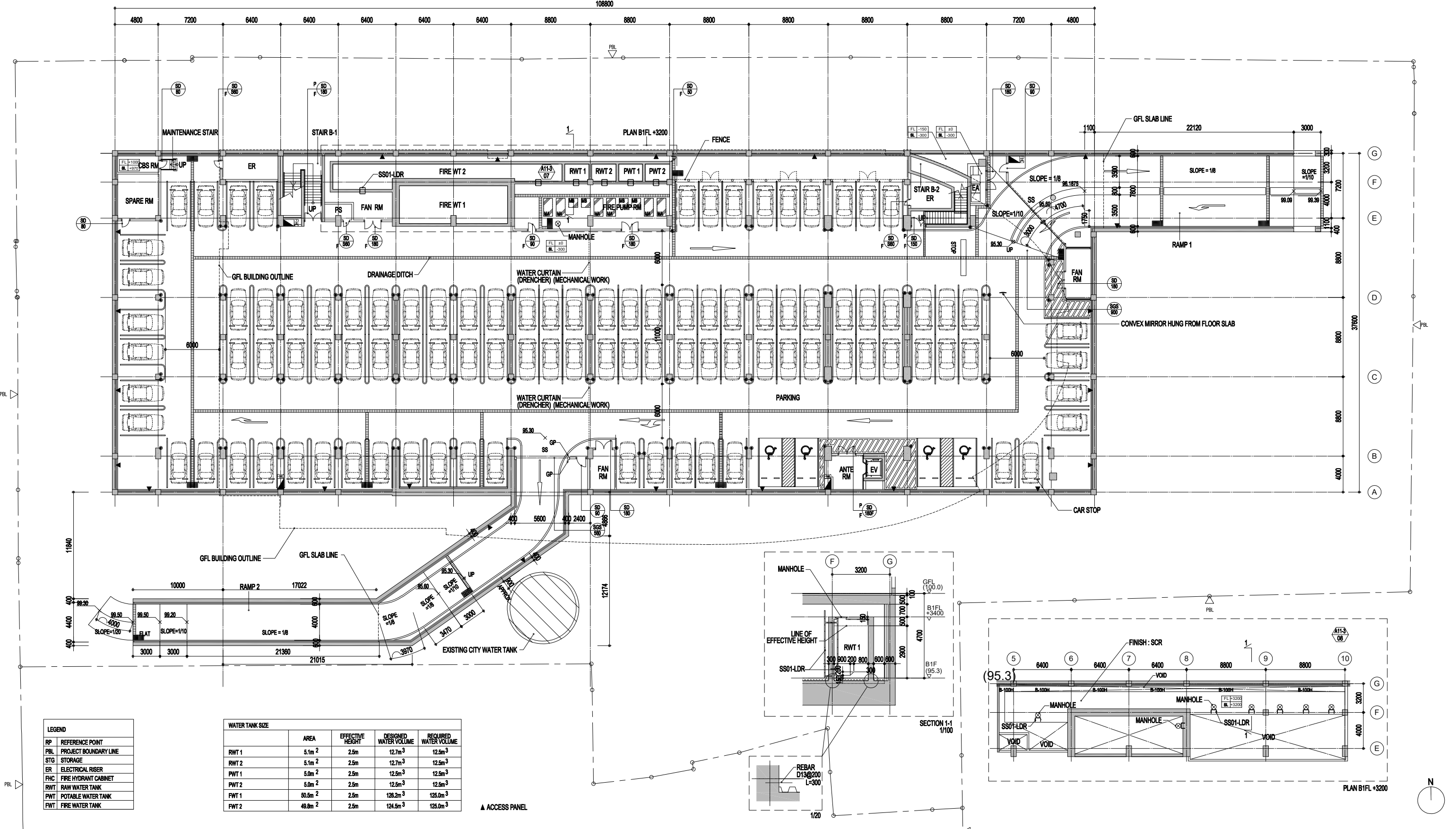
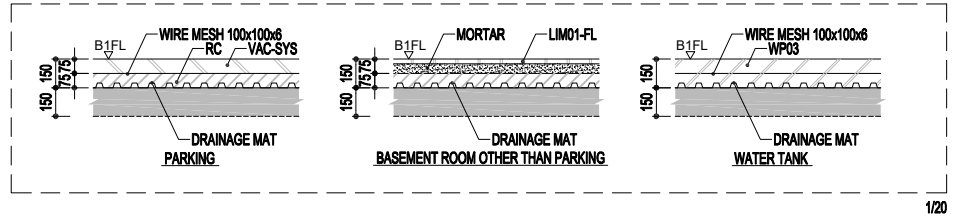


MACHINE BASE

	SIZE	TYPE	QTY
MA	2,000x1,000x300H	G	6
MB	1,000x1,000x300H	G	4

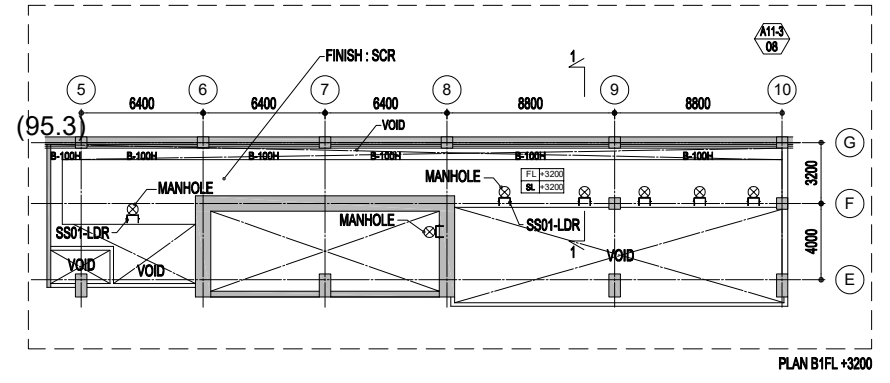
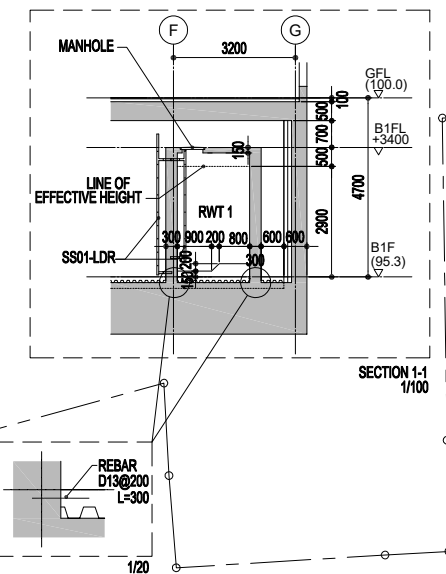


LEGEND

RP	REFERENCE POINT
PBL	PROJECT BOUNDARY LINE
STG	STORAGE
ER	ELECTRICAL RISER
FHC	FIRE HYDRANT CABINET
RWT	RAW WATER TANK
PWT	POTABLE WATER TANK
FWT	FIRE WATER TANK

WATER TANK SIZE

	AREA	EFFECTIVE HEIGHT	DESIGNED WATER VOLUME	REQUIRED WATER VOLUME
RWT 1	5.1m ²	2.5m	12.7m ³	12.5m ³
RWT 2	5.1m ²	2.5m	12.7m ³	12.5m ³
PWT 1	5.0m ²	2.5m	12.5m ³	12.5m ³
PWT 2	5.0m ²	2.5m	12.5m ³	12.5m ³
FWT 1	90.5m ²	2.5m	128.2m ³	125.0m ³
FWT 2	49.8m ²	2.5m	124.5m ³	125.0m ³



PROJECT TITLE
THE PROJECT FOR CONSTRUCTION OF THE INTERNATIONAL COOPERATION AND CONVENTION CENTER IN VARANASI

GENERAL NOTE
 ▲ ACCESS PANEL

CLIENT
THE MINISTRY OF HOUSING & URBAN AFFAIRS

SCALE: 1:50 (A1)
 DWG NAME: **BASEMENT LAYOUT**
 DATE: MAR. 2021
 DESIGNED BY: ORIENTAL CONSULTANTS GLOBAL CO.LTD. & NIKKEN SEKKEI
 CONTRACTOR: FUJITA CORPORATION
 DWG TITLE: **AS BUILT**
 DWG NO: **A0-4**